

TrustSoM RZ/V2L

Scalys' hardware hardened TrustSoM RZ/V2L solution with a DRP-AI accelerator secures local Artificial Intelligence (AI) driven data processing by running applications in a tamper-proof, trusted environment and protects companies from cyber threats. The TrustSoM RZ/V2L is a modular approach for your cyber security system.



SECURITY

- Discrete TPM – Infineon OPTIGA™
- Ready for confidential computing
- Open Enclave
- IoT security – Arm TrustZone®
- PSA certified



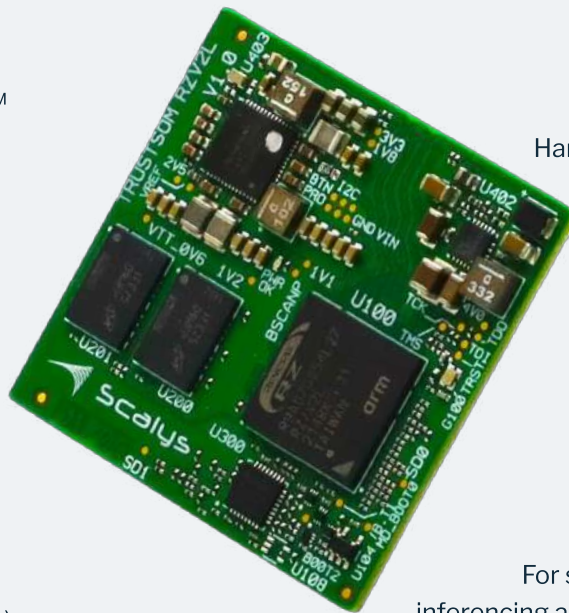
KEY BENEFITS

- Compliant with security regulation
- Hardware accelerator for AI/ML (DRP-AI)
- Longevity support (10+ years)
- Layered security
- Low power consumption



TECHNICAL FEATURES

- Renesas RZ/V2L
- Arm Cortex A55 dual core (1.2 GHz)
- Arm Cortex M33 core (200 MHz)
- 2 GB DDR4
- Infineon OPTIGA™ TPM (SLM9670)



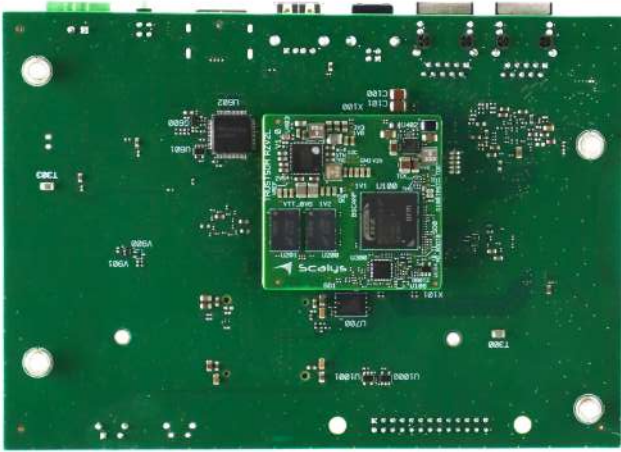
TYPICAL APPLICATIONS

For solutions that leverage real time AI/ML inferencing and image processing Scalys' TrustSoM RZ/V2L offers great performance, with a proven track record in market segments like smart health, smart energy, automation and control, networking and computing, government and defense.



SECURITY IS CRUCIAL FOR TRUST AND INTEGRITY

The combination of Renesas' Hardware accelerator for AI/ML, ARM® TrustZone® and the features of the Infineon OPTIGA™ TPM chip establish and maintain a strong security foundation for devices deploying containers and microservices.

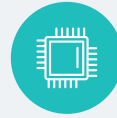


A sample of a Scaly Systems on Module with a customized carrier

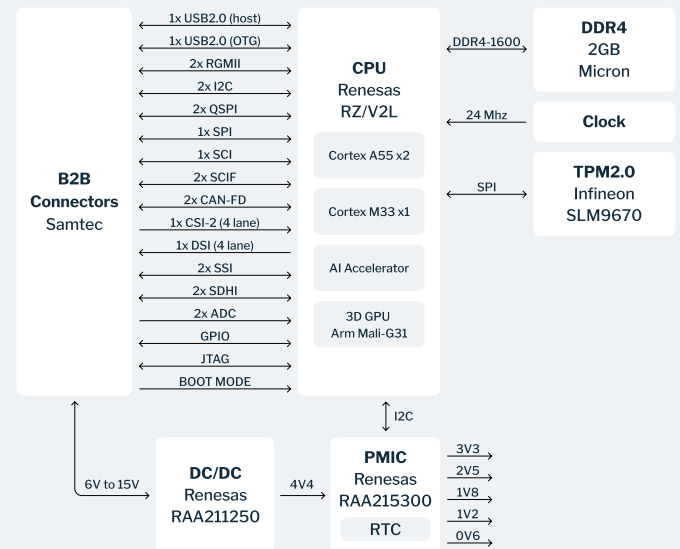


CUSTOM DESIGN SERVICES

We can support you with custom (carrier) board development. Scalys has the expertise and the IP available to design your cost-effective integrated solution. This allows you to fully concentrate on your core competencies and the application you want to deploy on this platform.



CPU AND PERIPHERALS



We create high-grade communication solutions putting cybersecurity first. Our built-in products are core for enterprise-level sensor gateways, communications hubs, and secure IoT edge devices.

www.scalys.com

info@scalys.com

+31 74 2555 712

Amarilstraat 14

7554 TV Hengelo (O), The Netherlands

